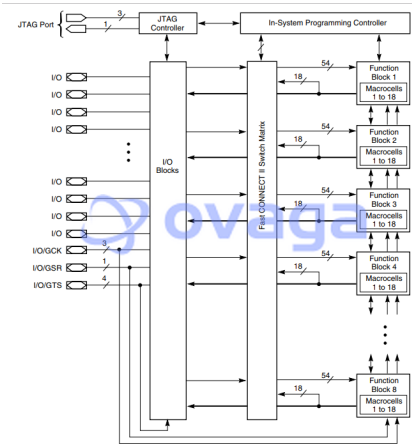


CPLD XC9500 Family 3.2K Gates 144 Macro Cells 100MHz 0.35um, CMOS Technology
3.3V 100Pin TQFP

Manufacturers	AMD Xilinx, Inc
Package/Case	LQFP-100
Product Type	Programmable Logic ICs
RoHS	
Lifecycle	



Images are for reference only

Please submit RFQ for XC95144XL-10TQG100I or [Email to us: sales@ovaga.com](mailto:sales@ovaga.com) We will contact you in 12 hours.



General Description

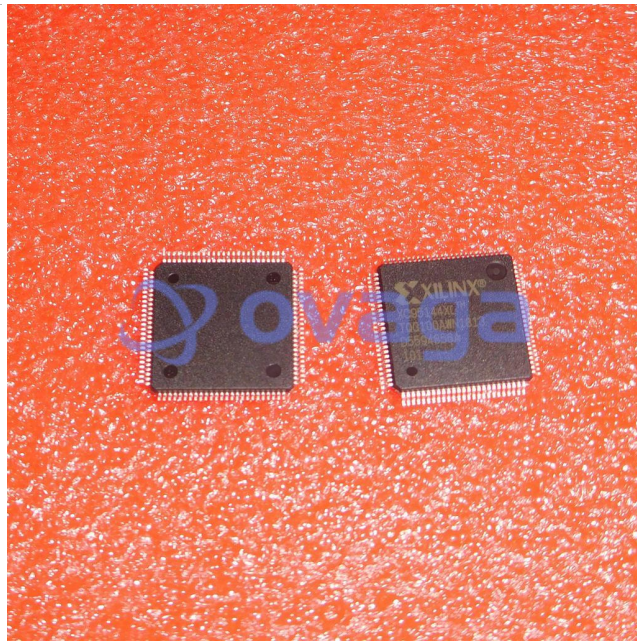
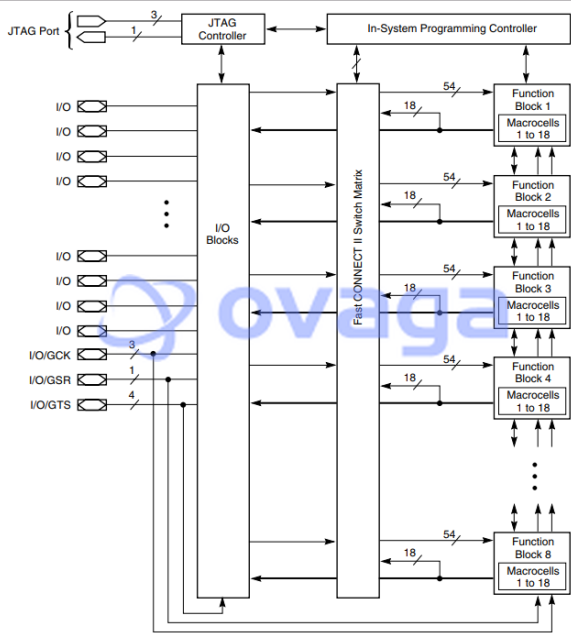
XC95144XL-10TQG100I is a field-programmable gate array (FPGA) manufactured by Xilinx. It is a member of the Xilinx CoolRunner XPLA3 family of devices and is designed for low-power, high-performance applications.

Features

- 144 macrocells
- 3.3V power supply
- 10ns maximum pin-to-pin delay
- 100-pin Thin Quad Flat Pack (TQFP) package
- 10,000 gate equivalent (GE) density
- IEEE 1149.1 (JTAG) boundary scan support
- In-system programmability (ISP) through the JTAG interface
- Enhanced routing matrix for improved routability and lower power consumption

Application

- Consumer electronics
- Industrial automation
- Automotive electronics
- Communication systems
- Medical devices

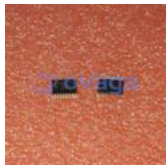


Related Products



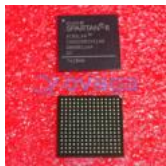
[XC18V01S020C](#)

AMD Xilinx, Inc
SOP-20



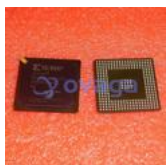
[XCF04SV0G20C](#)

AMD Xilinx, Inc
TSSOP20



[XC6SLX4-2CSG225C](#)

AMD Xilinx, Inc
BGA-225



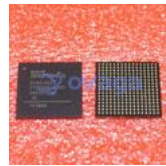
[XCV50-6BG256C](#)

AMD Xilinx, Inc
BGA256



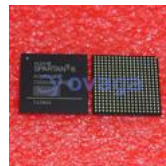
[XCF08PV0G48C](#)

AMD Xilinx, Inc
TSOP-48



[XC6SLX25-3FTG256C](#)

AMD Xilinx, Inc
BGA-256



[XC6SLX16-3CSG324C](#)

AMD Xilinx, Inc
BGA-324



[XCF32PVO48C](#)

AMD Xilinx, Inc
TSOP48