

Synchronous rectifier step up converter, MOSFET & Power Driver ICs Sync Rectifier Step Up Converter



MSOP8

Images are for reference only

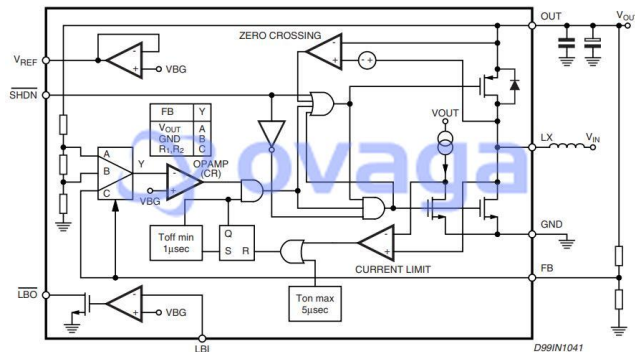
Manufacturers	STMicroelectronics, Inc
Package/Case	MSOP-8
Product Type	Power Management ICs
RoHS	
Lifecycle	

Please submit RFQ for L6920DCTR or [Email to us: sales@ovaga.com](mailto:sales@ovaga.com) We will contact you in 12 hours.

[RFQ](#)

General Description

Ovaga has a large stock of L6920DCTR Power Management ICs from STMicroelectronics, Inc and we guarantee that they are original, brand new parts sourced directly from STMicroelectronics, Inc We can provide quality testing reports for L6920DCTR upon your request. To obtain a quote, simply fill in the required quantity, contact name, and email address in the quick quote form on the right. Our sales representative will contact you within 12 hours.



Related Products



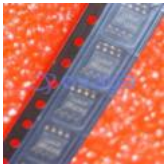
[E-L6452](#)

STMicroelectronics, Inc
PQFP100



[L6207D](#)

STMicroelectronics, Inc
SO-24



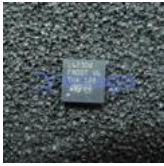
L6561D013TR

STMicroelectronics, Inc
SOP-8



L6258E

STMicroelectronics, Inc
PowerSO-36



L6230Q

STMicroelectronics, Inc
VFQFPN-32



L6219DSA

STMicroelectronics, Inc
SO-24



L6228PD

STMicroelectronics, Inc
SOP-36



L6228D

STMicroelectronics, Inc
SO-24