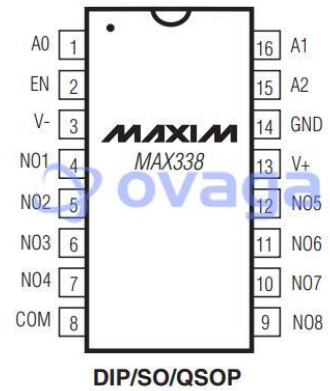


8-Channel / Dual 4-Channel, Low-Leakage, CMOS Analog Multiplexers

Manufacturers	Analog Devices, Inc
Package/Case	SOIC-16
Product Type	Interface ICs
RoHS	
Lifecycle	



Images are for reference only

Please submit RFQ for MAX338ESE or [Email to us: sales@ovaga.com](mailto:sales@ovaga.com) We will contact you in 12 hours.

[RFQ](#)

General Description

MAX338ESE is a quad, 3V to 5.5V, RS-232 line driver/receiver IC manufactured by Maxim Integrated.

Features

- Four drivers and four receivers
- Operates with a single 3V to 5.5V power supply
- Meets EIA/TIA-232E and V.28/V.24 specifications
- Data rates up to 250kbps
- Automatic power-down when inactive
- Thermal shutdown protection

Application

- Desktop and laptop computers
- Industrial and instrumentation
- Modems
- Point-of-sale terminals
- Data acquisition systems
- Portable data devices

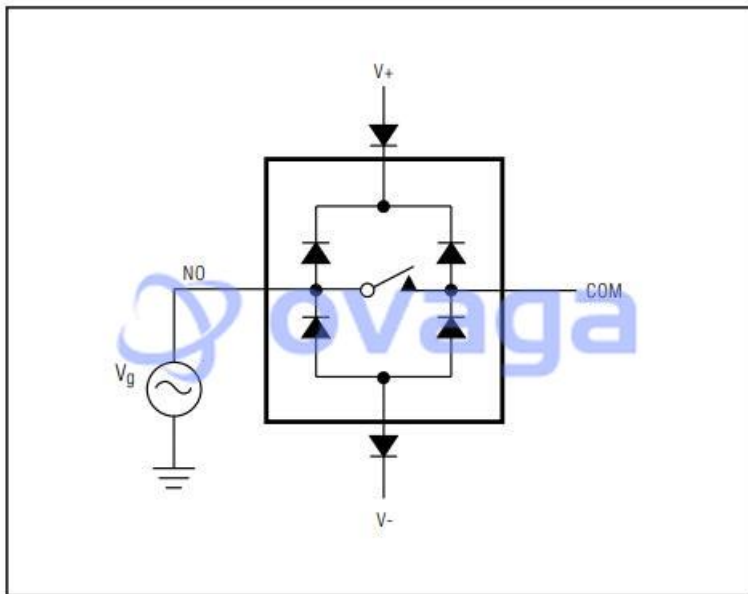
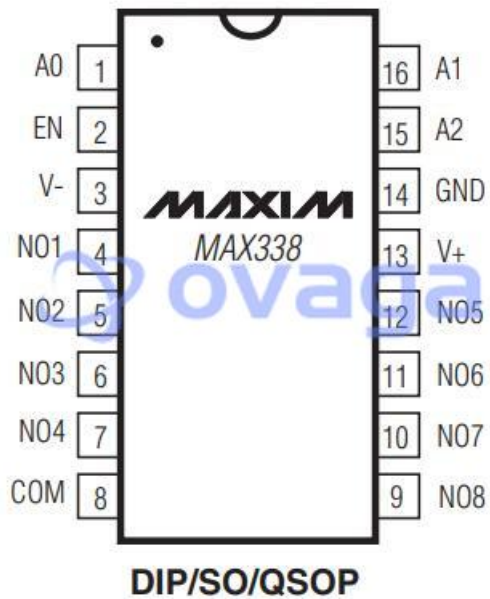


Figure 1. Overvoltage Protection Using External Blocking Diodes

Related Products



[MAX3232EEEU](#)

Analog Devices, Inc
TSSOP-16



[MAX4544EUT+T](#)

Analog Devices, Inc
SOT-23-6



[MAX202CSE](#)

Analog Devices, Inc
SOP-16



[MAX485ECPA](#)

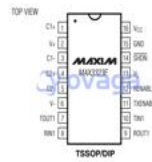
Analog Devices, Inc
DIP-8



[MAX3221EEUE](#)

Analog Devices, Inc

TSSOP-16



[MAX3223EEUE](#)

Analog Devices, Inc

TSSOP-16



[MAX490MJA](#)

Analog Devices, Inc

CDIP-8



[MAX3232EUE](#)

Analog Devices, Inc

TSSOP-16