

1A step down switching regulator, Switching Converters, Regulators & Controllers 3.3 to 50V
Step-Down

Manufacturers	STMicroelectronics, Inc
Package/Case	SO-16
Product Type	Power Management ICs
RoHS	Rohs
Lifecycle	



Images are for reference only

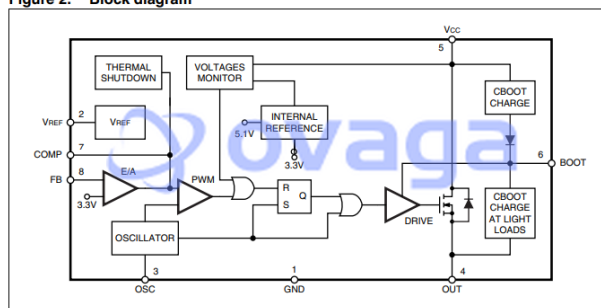
Please submit RFQ for L4976D013TR or [Email to us: sales@ovaga.com](mailto:sales@ovaga.com) We will contact you in 12 hours.

[RFQ](#)

General Description

Ovaga has a large stock of L4976D013TR Power Management ICs from STMicroelectronics, Inc and we guarantee that they are original, brand new parts sourced directly from STMicroelectronics, Inc We can provide quality testing reports for L4976D013TR upon your request. To obtain a quote, simply fill in the required quantity, contact name, and email address in the quick quote form on the right. Our sales representative will contact you within 12 hours.

Figure 2. Block diagram



Related Products



[L4975A](#)

STMicroelectronics, Inc
ZIP-15



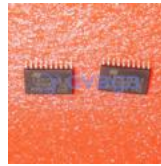
[L4973V3.3](#)

STMicroelectronics, Inc
PDIP-18



[L4973D5.1](#)

STMicroelectronics, Inc
SOP-20



[L4973D3.3](#)

STMicroelectronics, Inc
SOP-20



[L4941BDT-TR](#)

STMicroelectronics, Inc
TO-252



[L4973V5.1](#)

STMicroelectronics, Inc
PDIP-18



[TL431ACL3T](#)

STMicroelectronics, Inc
SOT23-3



[TL431ACDT](#)

STMicroelectronics, Inc
SOIC-8