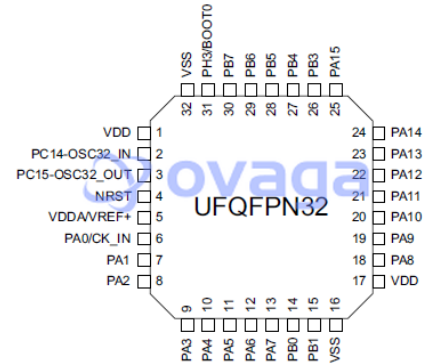


MCU 32-bit ARM Cortex M4 RISC 256KB Flash 2.5V/3.3V 32-Pin UFQFPN EP Tray

Manufacturers	STMicroelectronics, Inc
Package/Case	QFN-32
Product Type	Embedded Processors & Controllers
RoHS	
Lifecycle	



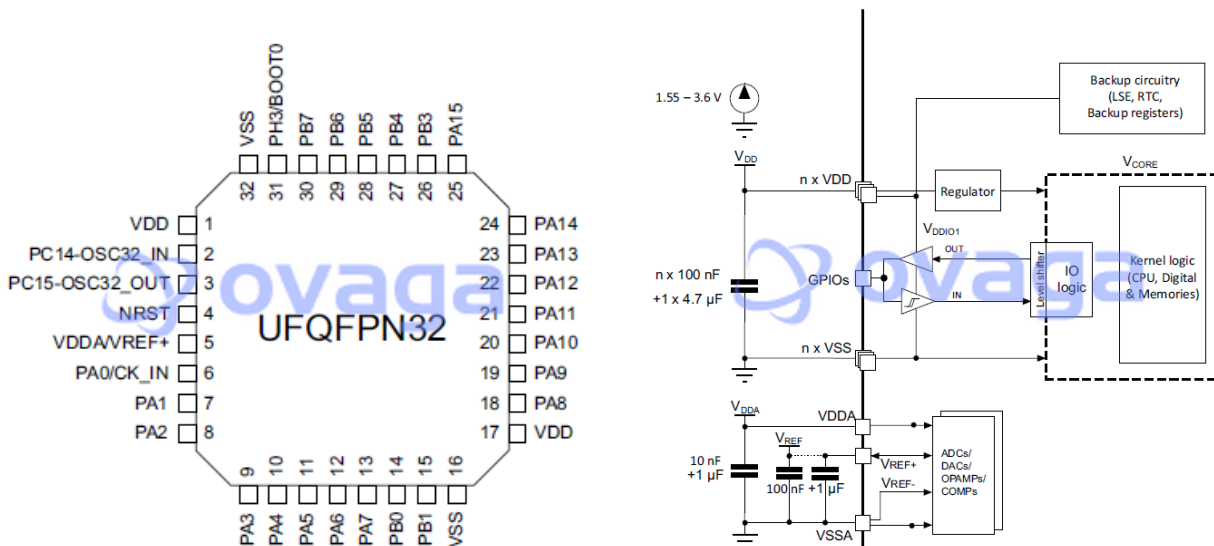
Images are for reference only

Please submit RFQ for STM32L442KCU6 or [Email to us: sales@ovaga.com](mailto:sales@ovaga.com) We will contact you in 12 hours.

[RFQ](#)

General Description

Ovaga has a large stock of STM32L442KCU6 Embedded Processors & Controllers from STMicroelectronics, Inc and we guarantee that they are original, brand new parts sourced directly from STMicroelectronics, Inc We can provide quality testing reports for STM32L442KCU6 upon your request. To obtain a quote, simply fill in the required quantity, contact name, and email address in the quick quote form on the right. Our sales representative will contact you within 12 hours.



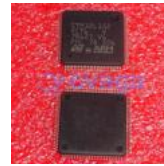
MSv4

Related Products



[STM32L151VET6](#)

STMicroelectronics, Inc
LQFP-100



[STM32L152VCT6](#)

STMicroelectronics, Inc
LQFP10014x14x1.4



[STM32F102C6T6A](#)

STMicroelectronics, Inc
LQFP48



[STM32L476JEY6TR](#)

STMicroelectronics, Inc
72-UFBGA, WLCSP



[STM32L452RET6P](#)

STMicroelectronics, Inc
64-LQFP



[STM32F429BGT6](#)

STMicroelectronics, Inc
208-LQFP



[STM32F446VCT6](#)

STMicroelectronics, Inc
100-LQFP



[STM32G071CBT6TR](#)

STMicroelectronics, Inc
48-LQFP