

Circular Connector Cable Assembly; Connector Type A: Circular Receptacle; Connector Type B: Stripped End Leads; Cable Length: 10ft RoHS Compliant: Yes

Manufacturers	Analog Devices, Inc
Package/Case	SOIC-24
Product Type	Data Conversion ICs
RoHS	
Lifecycle	



Images are for reference only

Please submit RFQ for AD7890AR-4 or [Email to us: sales@ovaga.com](mailto:sales@ovaga.com) We will contact you in 12 hours.

[RFQ](#)

General Description

AD7890AR-4 is a type of analog-to-digital converter (ADC) manufactured by Analog Devices Inc. It is a 12-bit, successive-approximation ADC that can convert analog signals into digital signals at a maximum sampling rate of 4 megasamples per second (MSPS).

Features

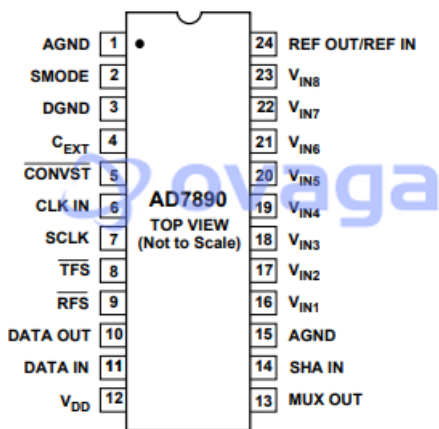
- High speed: It can sample analog signals at a maximum rate of 4 MSPS.
- 12-bit resolution: It can convert analog signals into 12-bit digital signals.
- Low power consumption: It has a low power consumption of 35 mW.
- Wide operating temperature range: It can operate over a wide temperature range of -40°C to +85°C.
- Small package size: It is available in a small, 28-lead SSOP package.

Application

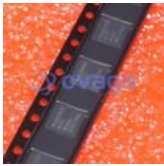
- Data acquisition systems
- Instrumentation and control systems
- Medical imaging and diagnostic equipment
- Industrial automation and process control systems
- Audio and video signal processing



PIN CONFIGURATION
DIP and SOIC

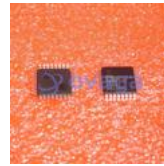


Related Products



[ADAS3022BCPZ](#)

Analog Devices, Inc
LFCSP-40



[AD7266BSUZ](#)

Analog Devices, Inc
TQFP-32



[AD574AJNZ](#)

Analog Devices, Inc
PDIP-28



[AD7401YRWZ](#)

Analog Devices, Inc
SOIC-16



[AD7938BSUZ](#)

Analog Devices, Inc
TQFP-32



[AD7192BRUZ-REEL](#)

Analog Devices, Inc
TSSOP-24



[AD7124-8BCPZ-RL7](#)

Analog Devices, Inc
LFCSP-32



[AD9680BCPZ-500](#)

Analog Devices, Inc
LFCSP-64