

Power Switch ICs - Power Distribution HF 4.0MOHM RDSON SWITCH

Manufacturers	<a href="#">NXP Semiconductor</a>
Package/Case	PQFN-16
Product Type	Power Management ICs
RoHS	Rohs
Lifecycle	



**Bottom View**

**FK (Pb-Free Suffix)  
98ARL10521D  
16-PIN PQFN (12 X 12)**

Images are for reference only

Please submit RFQ for MC33981BHFKR2 or [Email to us: sales@ovaga.com](mailto:sales@ovaga.com) We will contact you in 12 hours.

[RFQ](#)

## General Description

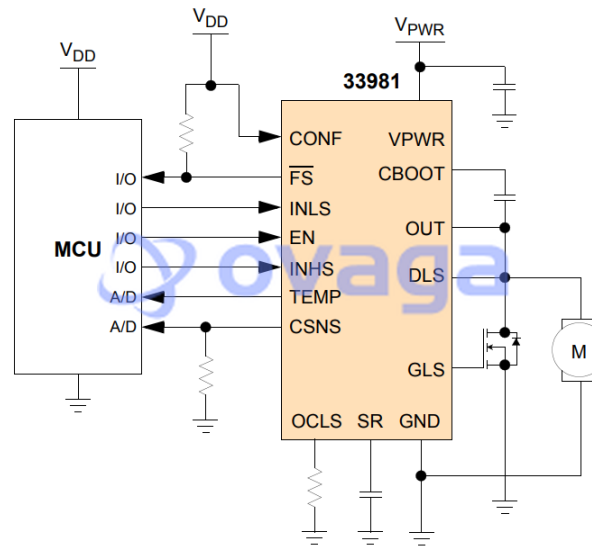
## Features

High-Side Switch, 12V, Single 4mOhms, PQFN 16



**Bottom View**

**FK (Pb-Free Suffix)  
98ARL10521D  
16-PIN PQFN (12 X 12)**



## Related Products



[MC33982BPNA](#)

NXP Semiconductor  
Power QFN-16



[MC3PHACVPE](#)

NXP Semiconductor  
DIP-28



[MC14489BPE](#)

NXP Semiconductor  
DIP20



[MC34716EP](#)

NXP Semiconductor  
QFN-26



[MC33887PNB](#)

NXP Semiconductor  
PQFN-36



[MC06XS4200FK](#)

NXP Semiconductor  
PQFN-24



[MCZ33285EF](#)

NXP Semiconductor  
SOP-8



[MC33486ADH](#)

NXP Semiconductor  
HSOP-22