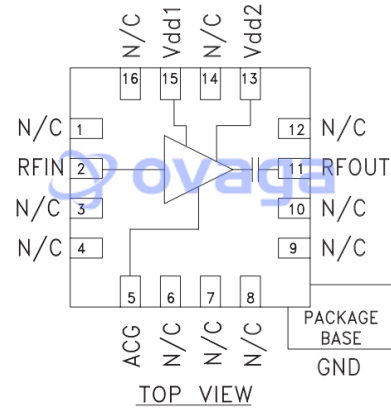


GaAs PHEMT MMIC LOW NOISE AMPLIFIER, 1.7

Manufacturers	<a href="#">Analog Devices, Inc</a>
Package/Case	QFN16
Product Type	RF Amplifiers
RoHS	Pb-free Halide free
Lifecycle	

**Functional Diagram**



Images are for reference only

Please submit RFQ for HMC375LP3E or [Email to us: sales@ovaga.com](mailto:sales@ovaga.com) We will contact you in 12 hours.

[RFQ](#)

## General Description

The HMC375LP3(E) is a high dynamic range GaAs PHEMT MMIC Low Noise Amplifier are ideal for GSM & CDMA cellular basestation front- end receivers operating between 1.7 and 2.2 GHz. This LNA has been optimized to provide 0.9 dB noise figure, 17 dB gain and +33 dBm output IP3 from a single supply of +5V @ 136mA. Input and output return losses are 14 dB typical with the LNA requiring minimal external components to optimize the RF input match, RF ground and DC bias.

### Applications

GSM, GPRS & EDGE

CDMA & W-CDMA

DECT

## Features

Noise Figure: 0.9 dB

Output IP3: +34 dBm

Gain: 17 dB

Very Stable Gain vs. Supply & Temp

Single Supply: +5V @ 136 mA

50 Ohm Matched Output

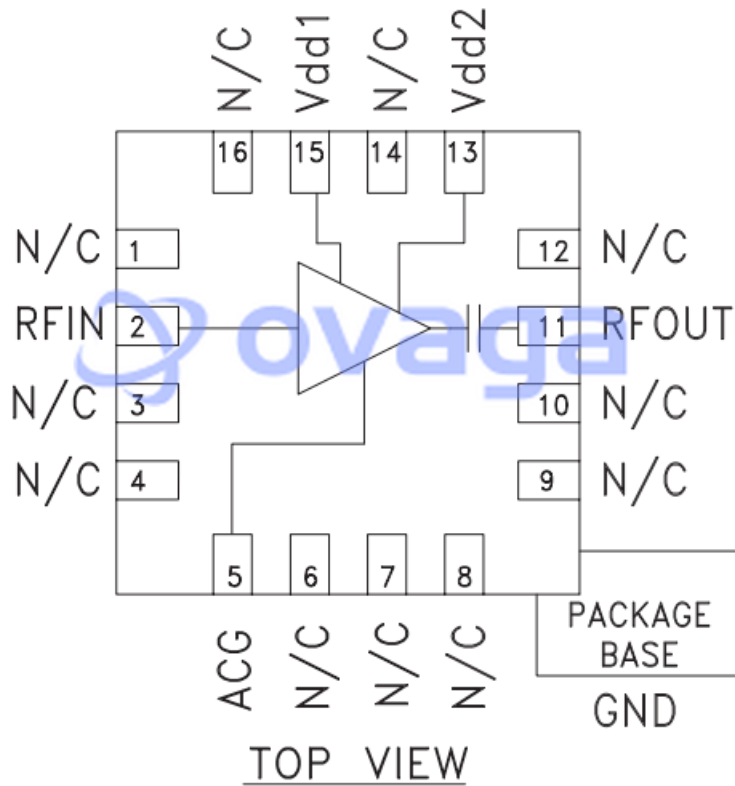
## Application

GSM, GPRS & EDGE

CDMA & W-CDMA

DECT

## Functional Diagram



### Related Products



#### [HMC3653LP3BE](#)

Analog Devices, Inc  
QFN-12



#### [HMC253AQS24](#)

Analog Devices, Inc  
24-SSOP (0.154, 3.90mm Width)



#### [HMC358MS8GE](#)

Analog Devices, Inc  
MSOP-8



#### [HMC453ST89E](#)

Analog Devices, Inc  
ST89E



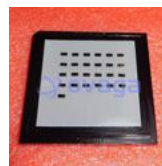
#### [HMC441LP3E](#)

Analog Devices, Inc  
QFN-16



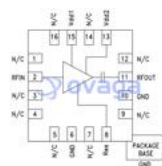
#### [HMC948LP3E](#)

Analog Devices, Inc  
LP3



#### [HMC490](#)

Analog Devices, Inc  
SMD



#### [HMC618ALP3E](#)

Analog Devices, Inc  
QFN-16