

CPLD MAX 7000 Family 1.25K Gates 64 Macro Cells 100MHz CMOS Technology 5V 68Pin PLCC

Manufacturers	Altera Corporation (Intel)
Package/Case	PLCC-68
Product Type	Programmable Logic ICs
RoHS	
Lifecycle	



Images are for reference only

Please submit RFQ for EPM7064LC68-10 or [Email to us: sales@ovaga.com](mailto:sales@ovaga.com) We will contact you in 12 hours.

[RFQ](#)

General Description

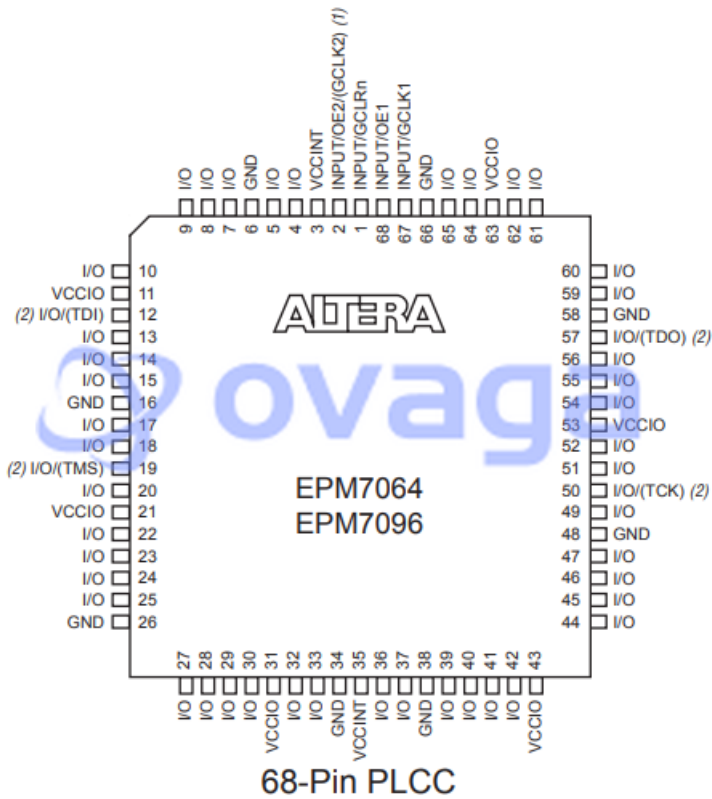
EPM7064LC68-10 is a type of programmable logic device (PLD) manufactured by Altera Corporation (now owned by Intel). It belongs to the MAX 7000 series and has a density of 64 macrocells.

Features

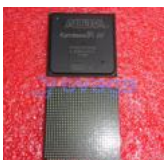
- 64 macrocells (64 logic blocks)
- 64 input/output pins
- Low power consumption
- High-speed performance
- In-system programmable (ISP) through the Joint Test Action Group (JTAG) interface
- Non-volatile, reprogrammable
- 68-pin PLCC package
- 10 ns propagation delay

Application

- Digital signal processing (DSP)
- Control systems
- Communications
- Embedded systems
- Medical equipment
- Industrial automation
- Robotics

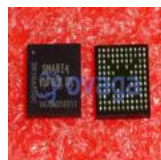


Related Products



[EP4CE55F29C8N](#)

Altera Corporation (Intel)
FBGA-780



[EPM240M100C5N](#)

Altera Corporation (Intel)
BGA-100



[EPM1270T144A5N](#)

Altera Corporation (Intel)
TQFP-144



[EP2C35F672C8N](#)

Altera Corporation (Intel)
FBGA-672



[EP2C35F484C7N](#)

Altera Corporation (Intel)
FBGA-484



[EPM570F256C5N](#)

Altera Corporation (Intel)
FBGA-256



[EPM7128AETC100-10](#)

Altera Corporation (Intel)
TQFP-100



[EP2C35F484I8N](#)

Altera Corporation (Intel)
FBGA-484