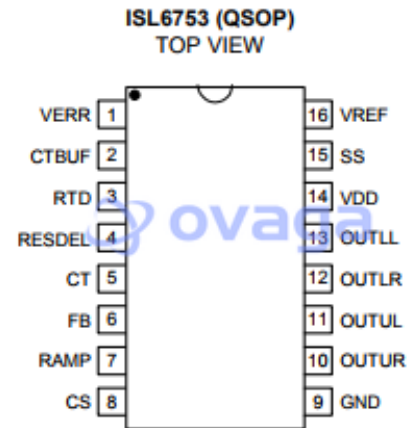


PWM Controller, Zero Voltage Switching PWM Controller, 9V to 16V Supply, 2MHz, QSOP-16

Manufacturers	<a href="#">Renesas Technology Corp</a>
Package/Case	QSOP-16
Product Type	Power Management ICs
RoHS	
Lifecycle	



Images are for reference only

Please submit RFQ for ISL6753AAZA or [Email to us: sales@ovaga.com](mailto:sales@ovaga.com) We will contact you in 12 hours.

[RFQ](#)

## General Description

The ISL6753 is a high-performance, low-pin-count alternative, zero-voltage switching (ZVS) full-bridge PWM controller. Like the ISL6551, it achieves ZVS operation by driving the upper bridge FETs at a fixed 50% duty cycle while the lower bridge FETS are trailing-edge modulated with adjustable resonant switching delays. Compared to the more familiar phase-shifted control method, this algorithm offers equivalent efficiency and improved overcurrent and lightload performance with less complexity in a lower pin count package. This advanced BiCMOS design features low operating current, adjustable oscillator frequency up to 2MHz, adjustable soft-start, internal over temperature protection, precision deadtime and resonant delay control, and short propagation delays. Additionally, Multi-Pulse Suppression ensures alternating output pulses at low duty cycles where pulse skipping may occur.

## Features

Adjustable Resonant Delay for ZVS Operation

Voltage- or Current-Mode Operation

3% Current Limit Threshold

175 $\mu$ A Startup Current

Supply UVLO

Adjustable Deadtime Control

Adjustable Soft-Start

Adjustable Oscillator Frequency Up to 2MHz

Tight Tolerance Error Amplifier Reference Over Line, Load, and Temperature

5MHz GBWP Error Amplifier

Adjustable Cycle-by-Cycle Peak Current Limit

Fast Current Sense to Output Delay

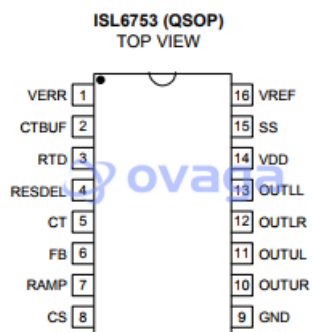
70ns Leading Edge Blanking

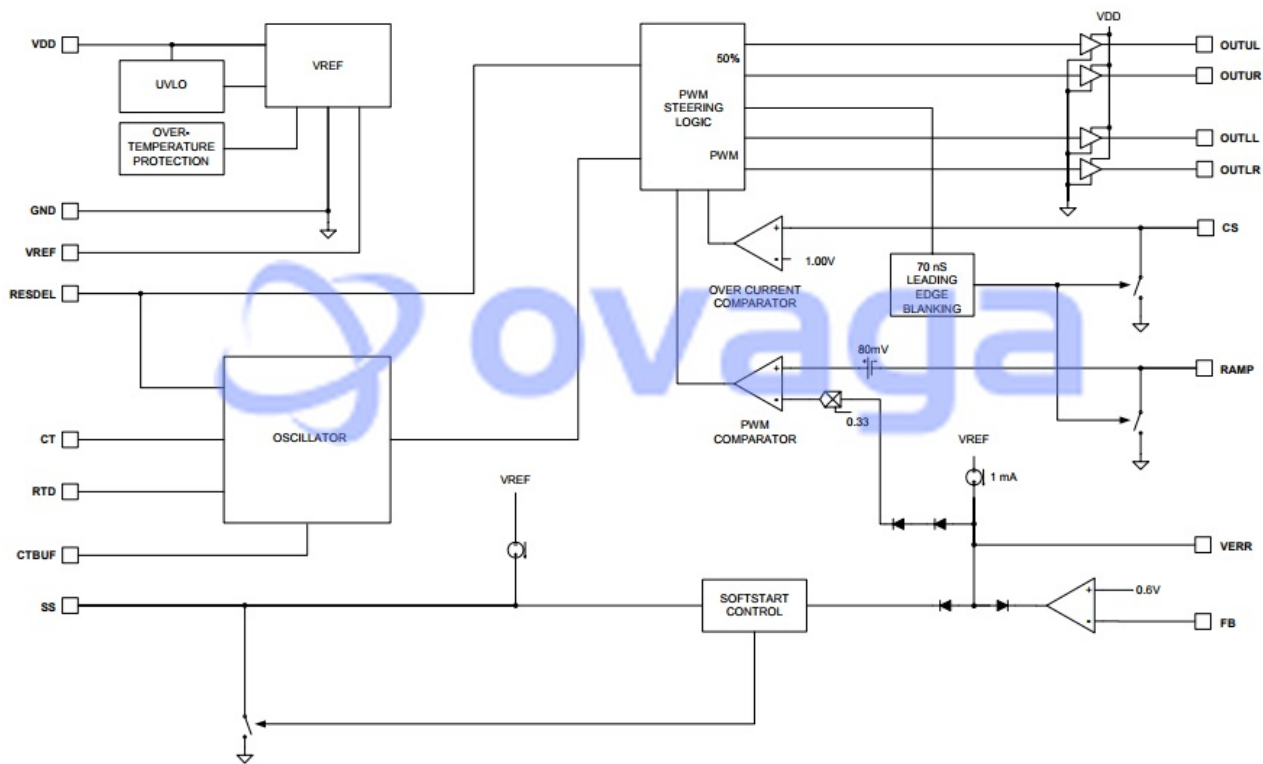
Multi-Pulse Suppression

Buffered Oscillator Sawtooth Output

Internal Over Temperature Protection

Pb-Free Plus Anneal Available and ELV, WEEE, RoHS Compliant





## Related Products



### [ISL6262ACRZ](#)

Renesas Technology Corp  
QFN-48



### [ISL21080CIH315Z-TK](#)

Renesas Technology Corp  
SOT-23-3



### [ISL6377HRZ-T](#)

Renesas Technology Corp  
QFN-48



### [ISL62771HRTZ](#)

Renesas Technology Corp  
QFN40



### [ISL6294IRZ-T](#)

Renesas Technology Corp  
QFN-8



### [ISL6506BCBZ](#)

Renesas Technology Corp  
SOP-8



### [ISL62771HRTZ-T](#)

Renesas Technology Corp  
40-WFQFN Exposed Pad



### [ISL95808HRZ-T](#)

Renesas Technology Corp  
DFN-8