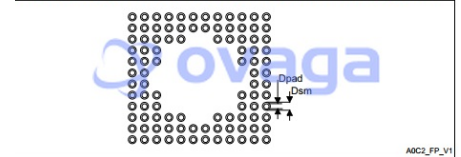


ARM MCU, Ultra Low Power, STM32 Family STM32L1 Series Microcontrollers, ARM Cortex-M3, 32bit

|               |   |
|---------------|---|
| Manufacturers | <a href="#">STMicroelectronics, Inc</a> |
| Package/Case  | 100-UFBGA                               |
| Product Type  | Embedded Processors & Controllers       |
| RoHS          | Rohs                                    |
| Lifecycle     |   |

UFBGA100, 7 x 7 mm, 0.5 mm pitch, package recommended footprint



Images are for reference only

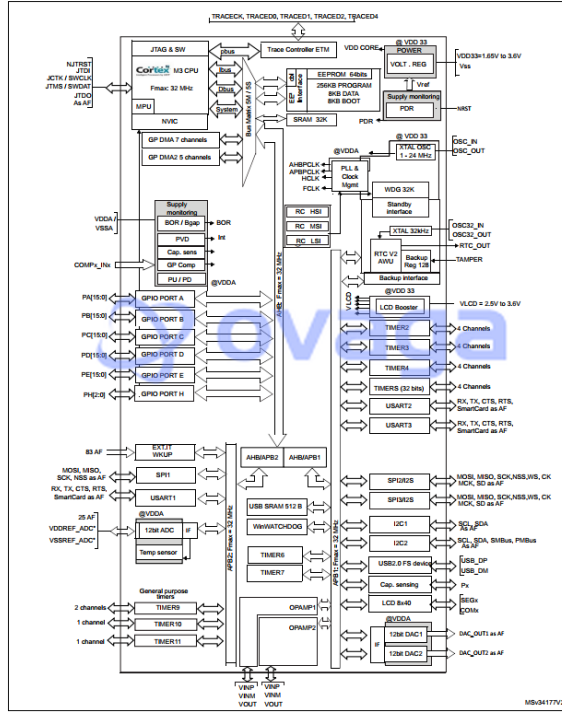
Please submit RFQ for STM32L152VCH6 or [Email to us: sales@ovaga.com](mailto:sales@ovaga.com) We will contact you in 12 hours.

RFQ

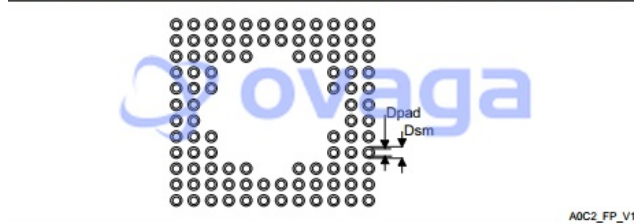
## General Description

Ovaga has a large stock of STM32L152VCH6 Embedded Processors & Controllers from STMicroelectronics, Inc and we guarantee that they are original, brand new parts sourced directly from STMicroelectronics, Inc We can provide quality testing reports for STM32L152VCH6 upon your request. To obtain a quote, simply fill in the required quantity, contact name, and email address in the quick quote form on the right. Our sales representative will contact you within 12 hours.

Figure 1. Ultra-low-power STM32L151xC and STM32L152xC block diagram



. UFBGA100, 7 x 7 mm, 0.5 mm pitch, package recommended footprint



Related Products



[STM32L151VET6](#)

STMicroelectronics, Inc  
LQFP-100



[STM32F102C6T6A](#)

STMicroelectronics, Inc  
LQFP48



[STM32L452RET6P](#)

STMicroelectronics, Inc  
64-LQFP



[STM32F446VCT6](#)

STMicroelectronics, Inc  
100-LQFP



[STM32L152VCT6](#)

STMicroelectronics, Inc  
LQFP10014x14x1.4



[STM32L476JEY6TR](#)

STMicroelectronics, Inc  
72-UFBGA, WLCSP



[STM32F429BGT6](#)

STMicroelectronics, Inc  
208-LQFP



[STM32G071CBT6TR](#)

STMicroelectronics, Inc  
48-LQFP