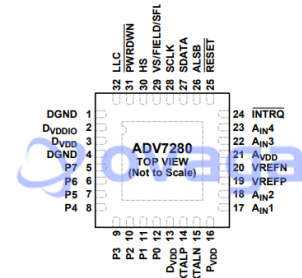


Video Decoder 1 ADC 10bit Automotive 32-Pin LFCSP EP Tray

Manufacturers	Analog Devices, Inc
Package/Case	LFCSP-32
Product Type	Audio & Video Products ; Video Decoders
RoHS	Pb-free Halide free
Lifecycle	



NOTES
 1. THE EXPOSED PAD MUST BE CONNECTED TO DGND.
 Figure 6. Pin Configuration, ADV7280

Images are for reference only

Please submit RFQ for ADV7280BCPZ or [Email to us: sales@ovaga.com](mailto:sales@ovaga.com) We will contact you in 12 hours. [RFQ](#)

General Description

The ADV7280/ADV7280-M are versatile one-chip, multiformat video decoders. The ADV7280/ADV7280-M automatically detect standard analog baseband video signals compatible with worldwide NTSC, PAL, and SECAM standards in the form of composite, S-Video, and component video.

The ADV7280 converts the analog video signals into a 4:2:2 component video data stream that is compatible with the 8-bit ITU-R BT.656 interface standard. The ADV7280-M converts the analog video signals into a mobile industry processor interface (MIPI®) CSI-2 (8-bit YUV) output video stream.

The analog video inputs of the ADV7280/ADV7280-M accept single-ended signals. The ADV7280 provides four analog inputs; the ADV7280-M provides eight analog inputs. The ADV7280 and ADV7280-M support I2P conversion.

The ADV7280/ADV7280-M are programmed via a 2-wire, serial bidirectional port (I2C compatible) and are fabricated in a 1.8 V CMOS process. The LFCSP package option makes these decoders ideal for space-constrained portable applications.

Features

Worldwide NTSC/PAL/SECAM color demodulation support

One 10-bit analog-to-digital converter (ADC), 4× oversampling per channel for CVBS, Y/C, and YPrPb modes

Analog video input channels with on-chip antialiasing filter
ADV7280: up to 4 input channels
ADV7280-M: up to 8 input channels

Video input support for CVBS (composite), Y/C (S-Video), and YPrPb (component)

NTSC/PAL/SECAM autodetection

Up to 1.47 V common-mode input range solution

Excellent common-mode noise rejection capabilities

5-line adaptive 2D comb filter and CTI/DNR video enhancement

Adaptive Digital Line Length Tracking (ADLLT), signal processing, and enhanced FIFO management provide mini-time base correction (TBC) functionality

See data sheet for additional features

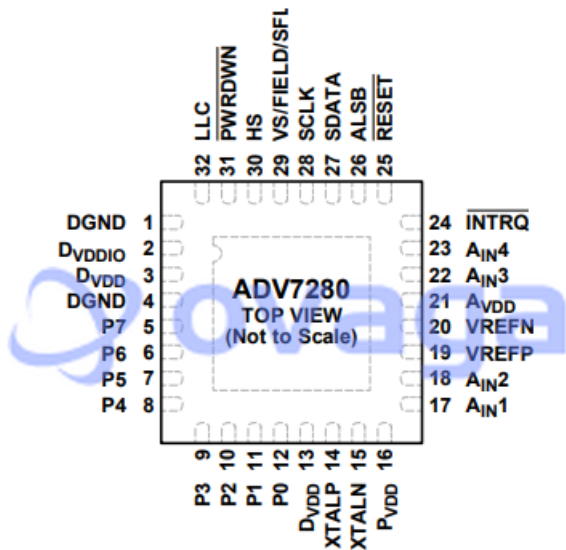
Application

Smartphone/multimedia handsets

Automotive infotainment

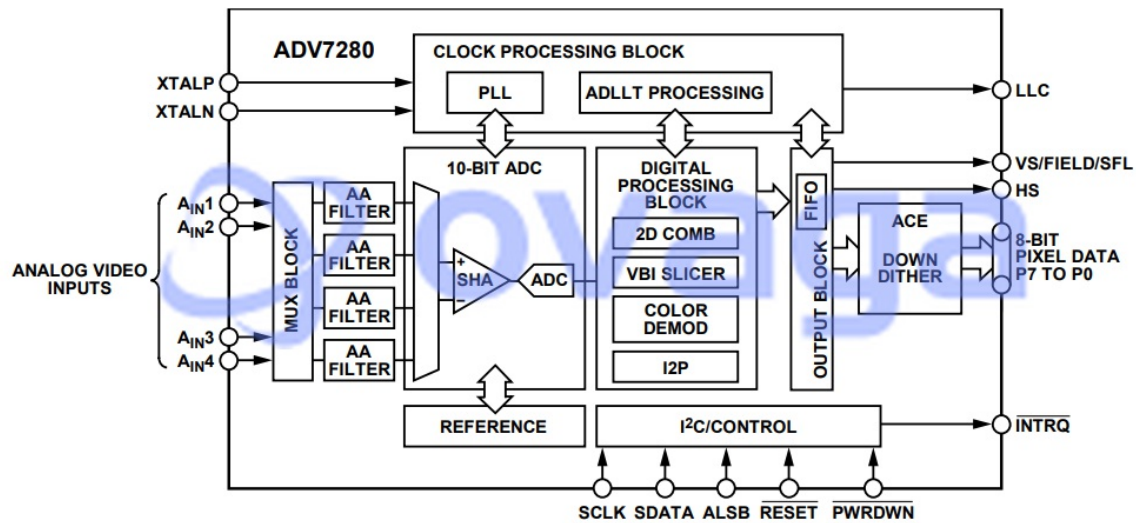
DVRs for video security

Media players



NOTES
1. THE EXPOSED PAD MUST BE CONNECTED TO DGND.

Figure 6. Pin Configuration, ADV7280



Related Products



[ADV7181CBSTZ](#)

Analog Devices, Inc
LQFP-64



[AD8170AR](#)

Analog Devices, Inc
SOP8



[AD724JR](#)

Analog Devices, Inc
SOIC-16



[ADV7393BCPZ](#)

Analog Devices, Inc
LFCSP-VQ-40



[ADV7391WBCPZ](#)

Analog Devices, Inc
LFSCP-3



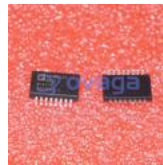
[ADV7390BCPZ](#)

Analog Devices, Inc
QFN32



[ADV7341BSTZ](#)

Analog Devices, Inc
LQFP-64



[ADUM4160BRIZ](#)

Analog Devices, Inc
SOIC-16