

Features

CPU

Up to 10 MIPS Performance at 3V

C compiler optimized RISC architecture

8x8 Single Cycle Hardware Multiply

System

Internal oscillator support-31 kHz to 8MHz with 4xPLL

Fail-Safe Clock Monitor- allows safe shutdown if clock fails

Watchdog Timer with separate RC oscillator

Wide operating Voltage range; 2.0V to 5.5V

nanoWatt Power Managed Modes

Run, Idle and SLEEP modes

Analog Features

10-bit ADC, 12 channels, 100K samples per second

Programmable Low Voltage Detection Module

Programmable Brown-out-Reset Module

Two Analog Comparators

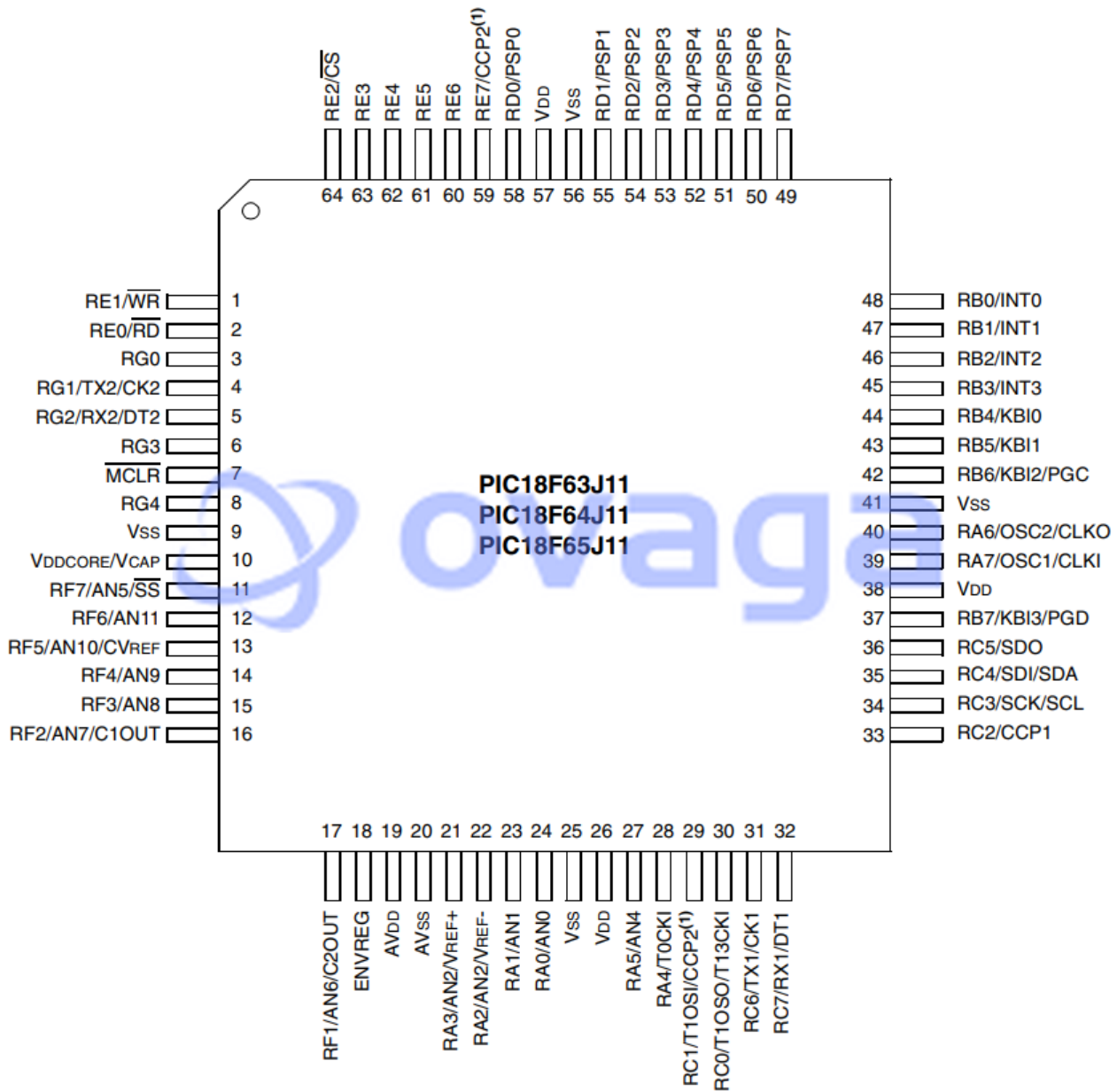
Peripherals

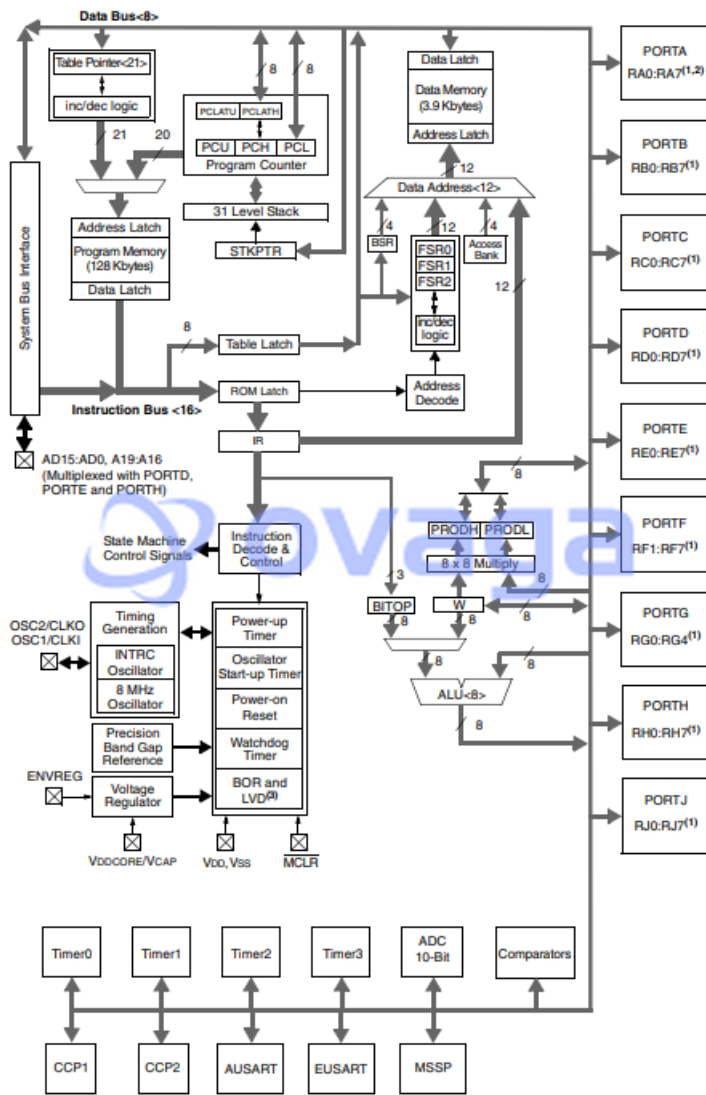
Master Synchronous Serial Port supports SPI™ and I2C™ master and slave mode

EUSART module including LIN bus support

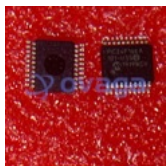
Four Timer modules

Two Capture Compare PWM modules





Related Products



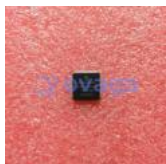
[PIC24F16KA101-I/SS](#)

Microchip Technology, Inc
SSOP-20



[PIC16F1938-I/SP](#)

Microchip Technology, Inc
PDIP-28



[PIC18F6520-I/PT](#)

Microchip Technology, Inc
TQFP-64



[PIC16F1936-I/SS](#)

Microchip Technology, Inc
SSOP-28



[PIC18F23K22-I/SP](#)

Microchip Technology, Inc
SPDIP-28



[PIC18F2620-I/SP](#)

Microchip Technology, Inc
SPDIP-28



[PIC18F2620-I/SO](#)

Microchip Technology, Inc
SOIC-28



[PIC18F97J60T-I/PT](#)

Microchip Technology, Inc
TQFP-100