

FPGA XC4000E Family 13K Gates 1368 Cells 0.35um Technology 5V 208Pin PQFP

Manufacturers	<a href="#">AMD Xilinx, Inc</a>
Package/Case	QFP208
Product Type	Programmable Logic ICs
RoHS	
Lifecycle	



Images are for reference only

Please submit RFQ for XC4013E-4PQ208C or [Email to us: sales@ovaga.com](mailto:sales@ovaga.com) We will contact you in 12 hours.

[RFQ](#)

## General Description

XC4013E-4PQ208C is a part number for a specific member of the Xilinx XC4000 family of Field Programmable Gate Arrays (FPGAs).

## Features

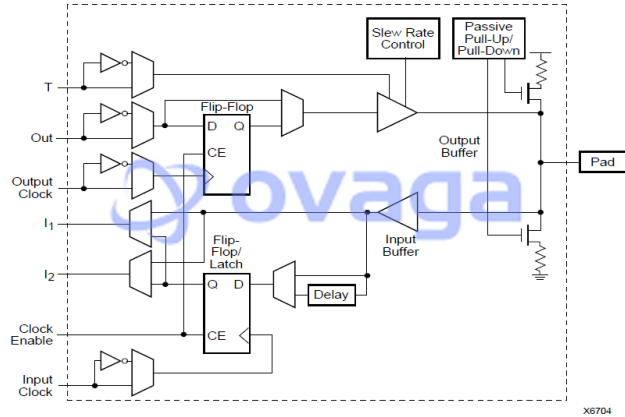
13,824 logic cells

384 I/O pins

4 input LUTs (Look-Up Tables)

208-pin PQFP (Plastic Quad Flat Pack) package

5V power supply

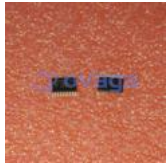


**Related Products**



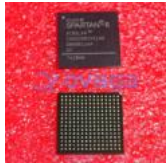
[XCF18V01S020C](#)

AMD Xilinx, Inc  
SOP-20



[XCF04SV0G20C](#)

AMD Xilinx, Inc  
TSSOP20



[XC6SLX4-2CSG225C](#)

AMD Xilinx, Inc  
BGA-225



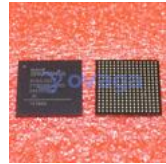
[XCV50-6BG256C](#)

AMD Xilinx, Inc  
BGA256



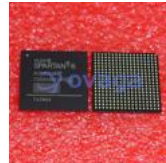
[XCF08PV0G48C](#)

AMD Xilinx, Inc  
TSOP-48



[XC6SLX25-3FTG256C](#)

AMD Xilinx, Inc  
BGA-256



[XC6SLX16-3CSG324C](#)

AMD Xilinx, Inc  
BGA-324



[XCF32PVO48C](#)

AMD Xilinx, Inc  
TSOP48